

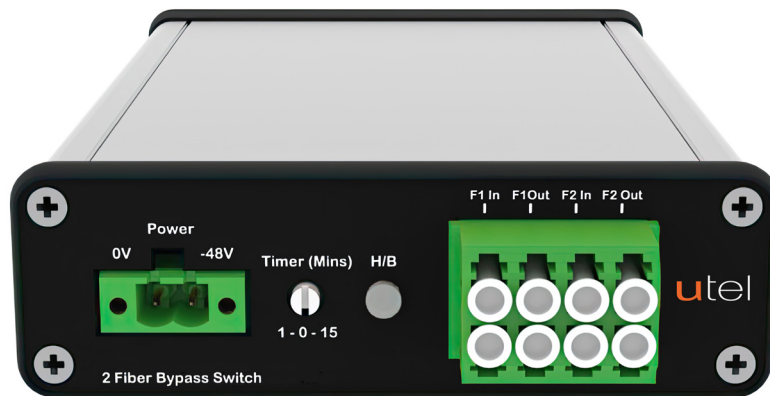
POWER MONITORING OPTICAL BYPASS SWITCH



Why Utel?

For over three decades, UTEL has provided highly innovative test solutions to the global telecoms market. Based in the UK, we have expanded to serve international customers in partnership with some of the sector's leading operators.

We established our reputation in the days of copper networks, providing advanced centralised network test heads, switches and controllers servicing over 20 million lines for Europe's biggest telecoms operators. We now focus on developing products and services to support increasingly sophisticated full fibre networks.



Applications

The UTEL Optical Bypass Switch protects optical services by automatically bypassing faulty network nodes in the event of a power failure.

The switch constantly monitors the status of the power supply at the network node and switches that node out of the optical path if the power supply fails thus maintaining the integrity of the main path.

When the power supply is restored the node is automatically brought back into the network. The re-start delay timer allows the by-passed equipment to reboot prior to switching it back into the network.

The Bypass Switch works with ring or linear fibre network architectures and has minimal impact on optical budget with a choice of LC/APC or LC/PC connections.

The switch can be used as a compact stand alone device or up to three units will fit in the optional 19" 1U chassis. It uses very little power, is easy to install and set up.

The manual version has a simple on-site user adjustable timer, the remote version has HTTPS based access so that the switch can be controlled via the internet or private VPN.

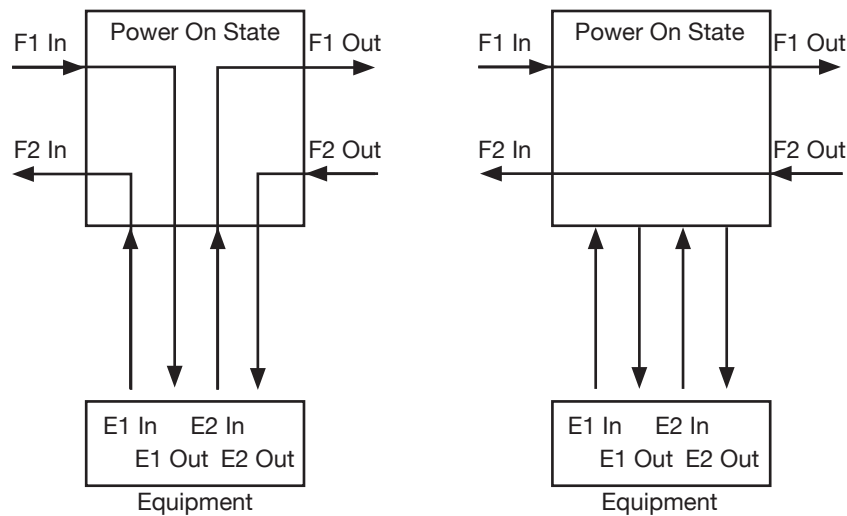
POWER MONITORING OPTICAL BYPASS SWITCH



Technical specification

Input power	Fused -48V DC supply
Mounting	Stand alone box or up to 3 units in 19" 1U rack mount chassis
Power consumption	≤1 Watt
Connectors	LC/APC or LC/PC
Restart timer	0 – 15 minutes variable
Status LED	Green/Red
Operating wavelength	1260 – 1620nm
Insertion loss	-0.5dB (1310nm typical)
Switch response time	≤8ms
Dimensions	Width: 103mm Height: 30mm Depth: 186mm (Inc connectors)
Weight	26g
Temperature range	Operating: -20°C to +70°C
Case	Switch: Aluminium Chassis: Steel

Configuration



If you'd like to learn more about how the UTEL Power Monitoring Optical Bypass Switch system can help optimise your network's reliability and performance, please contact us by emailing info@utel.co.uk or call +44 (0) 1473 828909.



FTTX DESIGNED PERFORMANCE...
DELIVERED IN THE REAL WORLD

info@utel.co.uk
+44 (0)1473 828909
www.utel.co.uk